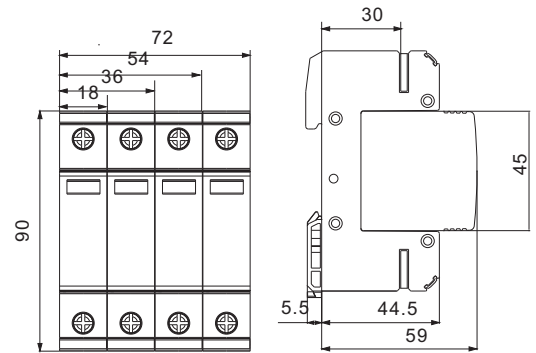




## Application

The function of lightning and surge protection systems is to protect the devices, functional isolations and overvoltage-sensitive consumer equipments of energy distribution systems against all lightning and overvoltage damages. whole building; the outdoor lightning protection system is generally not sufficient to eliminate such malfunctions. At most of types, the defected protection device can be made operative again by changing the damaged insert; these variants are also equipped with both optical operation signal and auxiliary status contact.

## Overall and Installation Dimension(mm)



## Technical Data

Model and Specification		EKU4-40Z/500	EKU4-40Z/800	EKU4-40Z/1000
Rated Voltage(VDC)		500V	800V	1,000V
Continuous Operation Voltage(VDC)		550V	850V	1,100V
Voltage Protection Level of Up		2.5	3	3.6
Nominal Discharge Current In (8/20μs)		20KA	20KA	20KA
Maximum Discharge Current I <sub>max</sub> (8/20μs)		40KA	40KA	40KA
Reaction Time		<25ns	<25ns	<25ns
Width/Pole		18mm	18mm	18mm
Color Mark				
Shell Material		PBT	PBT	PBT
Ambient Temperature		-40°C-80°C	-40°C-80°C	-40°C-80°C
Fuse or Circuit Breaker Matched		25A	25A	25A
Terminal Specification	Line	2.5~35mm <sup>2</sup>	2.5~35mm <sup>2</sup>	2.5~35mm <sup>2</sup>
	PE	2.5~35mm <sup>2</sup>	2.5~35mm <sup>2</sup>	2.5~35mm <sup>2</sup>
	Signal	1.5mm <sup>2</sup>	1.5mm <sup>2</sup>	1.5mm <sup>2</sup>
No.of Pole		V+/PE/V-	V+/PE/V-	V+/PE/V-
Protection Degree		IP20	IP20	IP20
Mounting		DIN rail 35mm	DIN rail 35mm	DIN rail 35mm
Network System		PV	PV	PV
Signal Terminal		Available	Available	Available